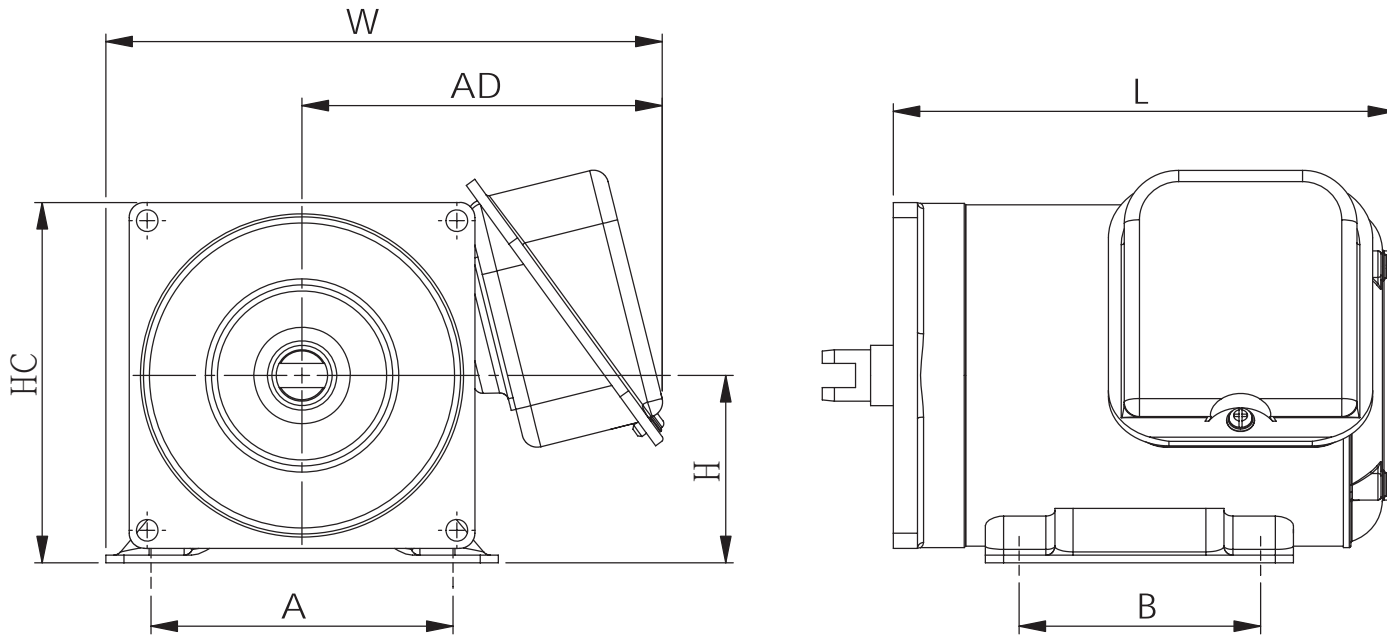


**WITHOUT FAN**



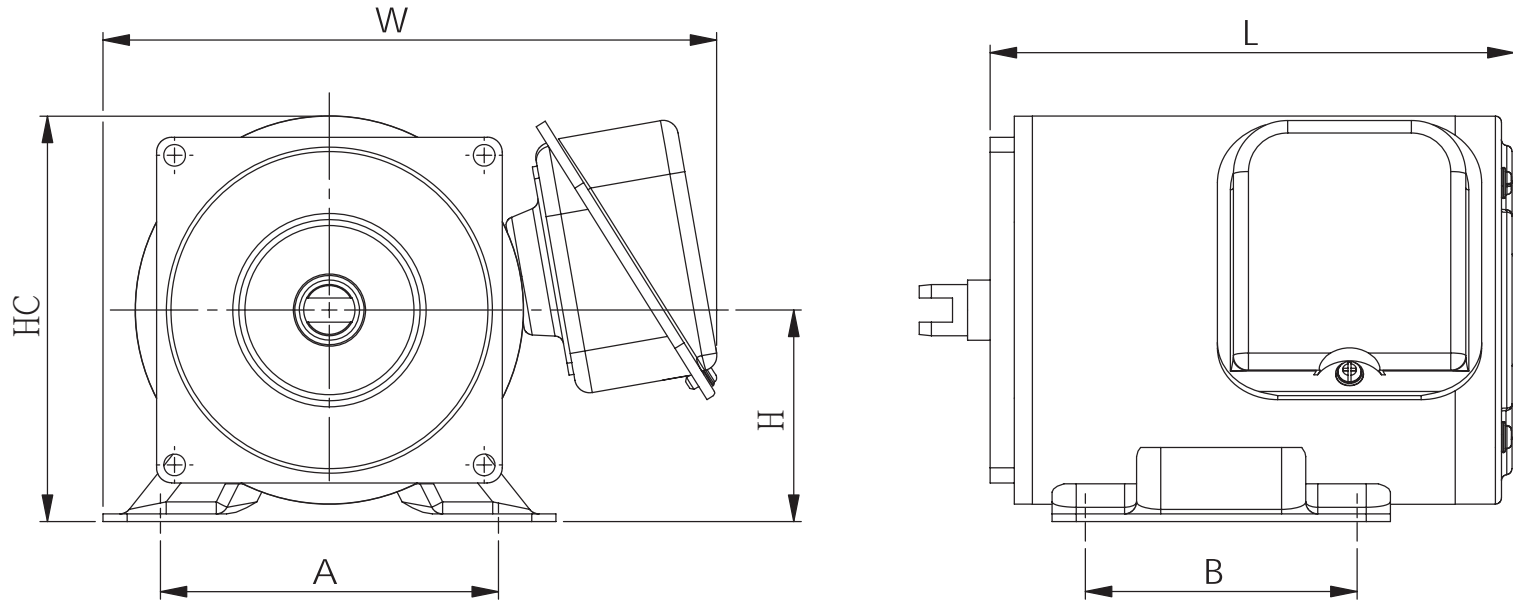
Unit : mm

MOTOR	REFERENCES	POWER	PHASE	VOLTAGES	HERTZ	RPM	A	AD	B	H	HC	L	W
<b>MSN17</b>	W850117-4	1/4HP 4P	1	110/220	50/60	1420/1720	100	119	80	62	119	165.5	184
<b>MSN18</b>	W850118-4	1/4HP 4P	3	220/380	50/60	1420/1720	100	112	80	62	119	165.5	175



Series  $\phi$  110 (MSN)

**A.C. MOTORS  
DIMENSIONS**

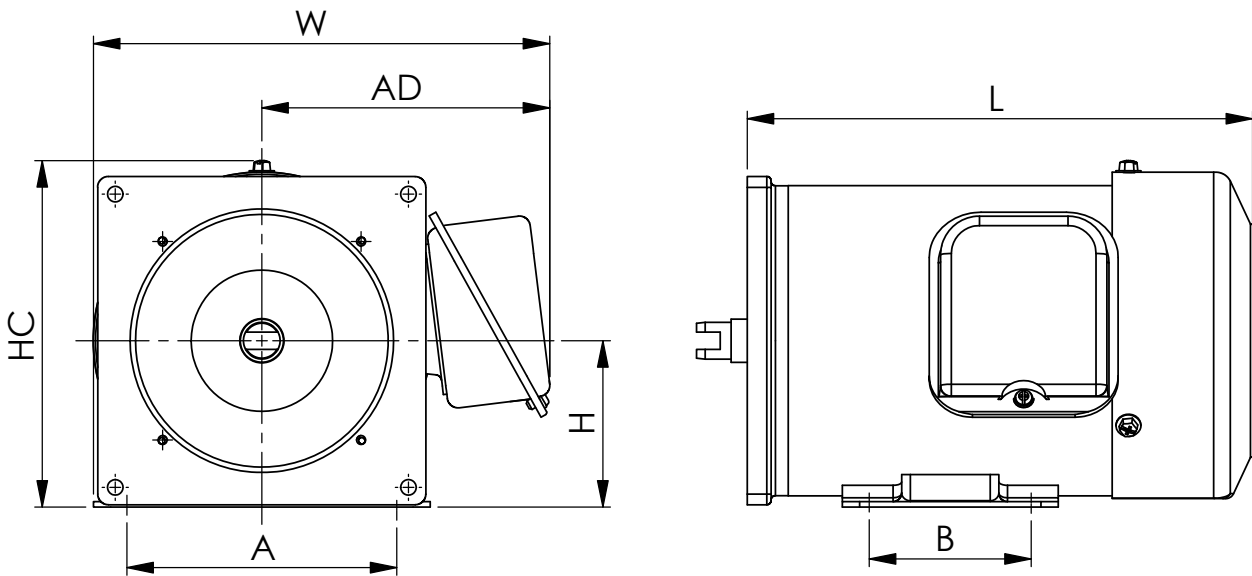
**WITHOUT FAN**

Unit : mm

MOTOR	REFERENCES	POWER	PHASE	VOLTAGES	HERTZ	RPM	A	AD	B	H	HC	L	W
<b>MSM01</b>	W850101-3	1HP 4P	3	220/380	50/60	1420/1720	112	128	90	70	134	173.5	204
<b>MSM11</b>	W850111-3	1/2HP 4P	1	110/220	50/60	1420/1720	112	128	90	70	134	173.5	204
<b>MSM15</b>	W850115-3	1/2HP 4P	3	220/380	50/60	1420/1720	112	119.5	90	70	134	158.5	195

Series  $\phi$  125 (MSM)**A.C. MOTORS  
DIMENSIONS****Winnor**

**WITH FAN**



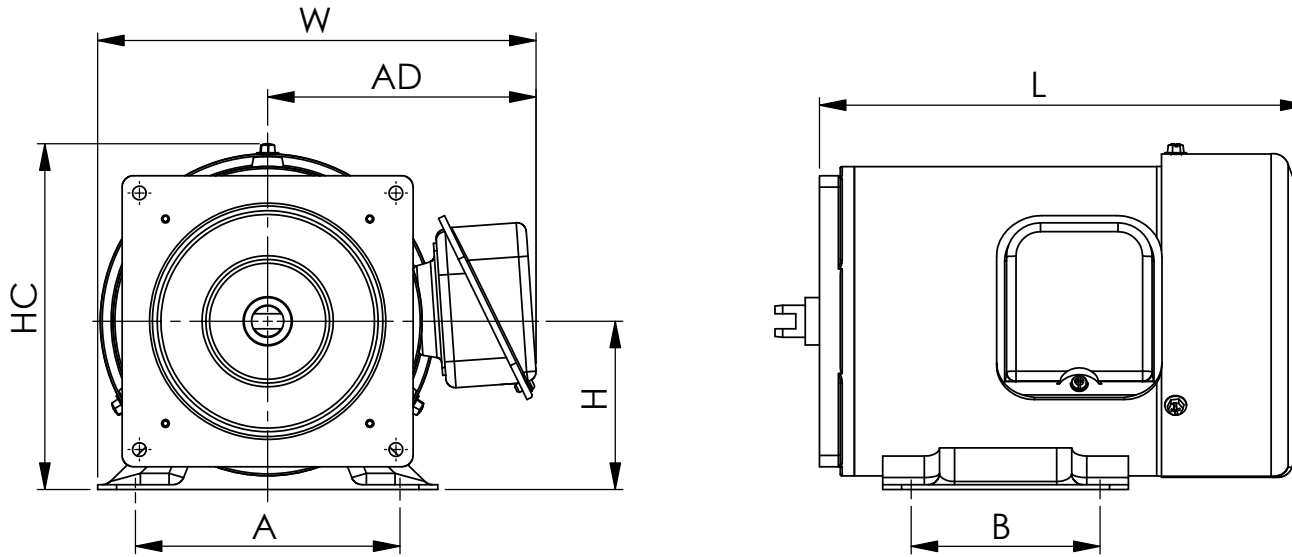
Unit : mm

MOTOR	REFERENCES	POWER	PHASE	VOLTAGES	HERTZ	RPM	A	AD	B	H	HC	L	W
<b>MFS01</b>	W850201-2	1HP 4P	3	220/380	50/60	1420/1720	125	132	75	77	155	235	211
<b>MFS02</b>	W850202-2	1HP 2P	3	220/380	50/60	2850/3450	125	133	75	77	155	235	211
<b>MFS11</b>	W850211-2	1/2HP 4P	1	110/220	50/60	1420/1720	125	132	75	77	155	235	211
<b>MFS13</b>	W850213-2	3/4HP 4P	1	110/220	50/60	1420/1720	125	134	75	77	155	245	213
<b>MFS15</b>	W850215-2	1/2HP 4P	3	220/380	50/60	1420/1720	125	132	75	77	155	235	211



Series  $\phi$  140 (MFS)

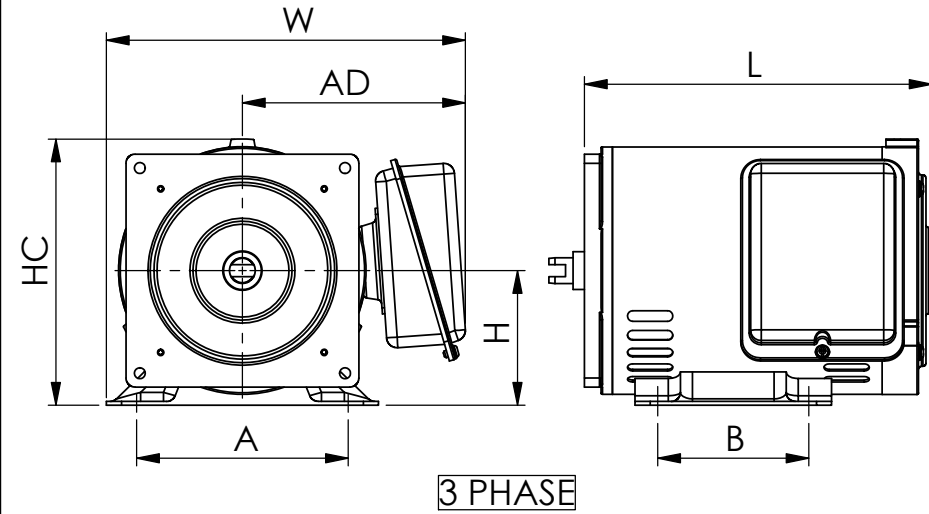
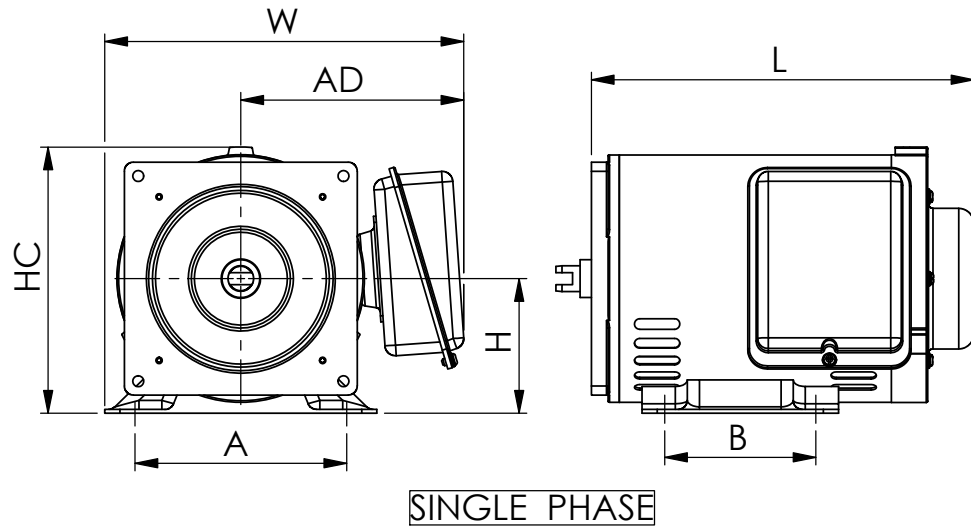
**A.C. MOTORS  
DIMENSIONS**

**WITH FAN**

Unit : mm

MOTOR	REFERENCES	POWER	PHASE	VOLTAGES	HERTZ	RPM	A	AD	B	H	HC	L	W
<b>MF01</b>	W850201	1HP 4P	3	220/380	50/60	1420/1720	140	142	100	89	178	258	237
<b>MF02</b>	W850202	1HP 2P	3	220/380	50/60	2850/3450	140	142	100	89	178	258	237
<b>MF03</b>	W850203	1HP 4P	1	110/220	50/60	1420/1720	140	147.5	100	89	178	278	237
<b>MF04</b>	W850204	1HP 2P	1	110/220	50/60	2850/3450	140	147.5	100	89	178	278	237
<b>MF05</b>	W850205	2HP 4P	3	220/380	50/60	1420/1720	140	145	100	89	178	278	237
<b>MF06</b>	W850206	2HP 2P	3	220/380	50/60	2850/3450	140	145	100	89	178	278	237
<b>MF07</b>	W850207	2HP 4P	1	110/220	50/60	1420/1720	140	147.5	100	89	178	298	237
<b>MF08</b>	W850208	2HP 2P	1	110/220	50/60	2850/3450	140	147.5	100	89	178	298	237
<b>MF09</b>	W850209	3HP 4P	3	220/380	50/60	1420/1720	140	142	100	89	178	298	237
<b>MF10</b>	W850210	3HP 2P	3	220/380	50/60	2850/3450	140	142	100	89	178	298	237

Series  $\varnothing$  160 (MF)
**A.C. MOTORS  
DIMENSIONS**

**WITHOUT FAN**

Unit : mm

MOTOR	REFERENCES	POWER	PHASE	VOLTAGES	HERTZ	RPM	A	AD	B	H	HC	L	W
<b>MS01</b>	W850101	1HP 4P	3	220/380	50/60	1420/1720	140	147	100	90	177	210	237
<b>MS02</b>	W850102	1HP 2P	3	220/380	50/60	2850/3450	140	147	100	90	177	210	237
<b>MS03</b>	W850103	1HP 4P	1	110/220	50/60	1420/1720	140	147	100	90	177	250	237
<b>MS04</b>	W850104	1HP 2P	1	110/220	50/60	2850/3450	140	147	100	90	177	250	237
<b>MS05</b>	W850105	2HP 4P	3	220/380	50/60	1420/1720	140	147	100	90	177	230	237
<b>MS06</b>	W850106	2HP 2P	3	220/380	50/60	2850/3450	140	147	100	90	177	230	237
<b>MS07</b>	W850107	2HP 4P	1	110/220	50/60	1420/1720	140	147	100	90	177	270	237
<b>MS08</b>	W850108	2HP 2P	1	110/220	50/60	2850/3450	140	147	100	90	177	270	237
<b>MS09</b>	W850109	3HP 4P	3	220/380	50/60	1420/1720	140	147	100	90	177	250	237
<b>MS10</b>	W850110	3HP 2P	3	220/380	50/60	2850/3450	140	147	100	90	177	250	237

Series  $\varnothing$  160 (MS)**A.C. MOTORS  
DIMENSIONS****Winnor**